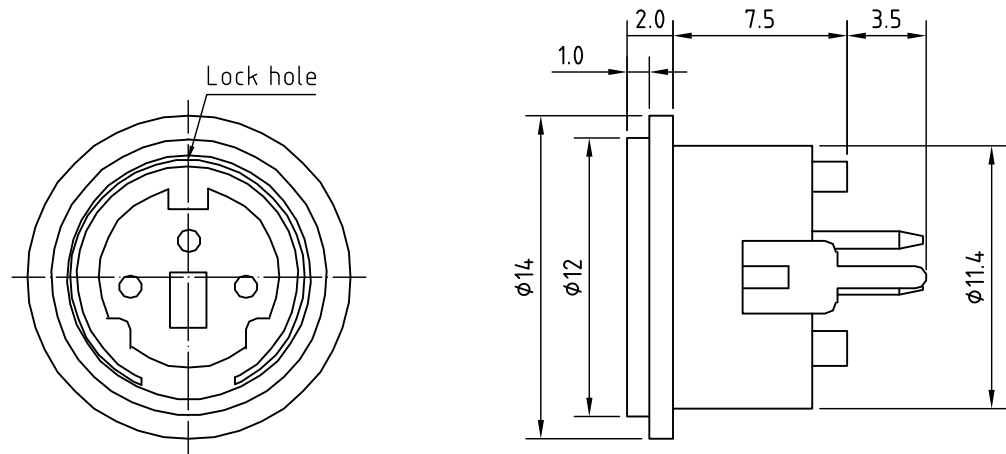


REV.	Description	Date
1	upgrade drawing	2012/11/15
2	drawing revise	2016/1/8
3	terminal plating revise	2016/1/27



Specification:

1. Current carrying capacity: 12V DC 2A max.
2. Contact resistance: 30mΩ max.
3. Insulation resistance: DC 250V 50MΩ min.
4. Dielectric strength: AC 250V / 1 minute
5. Insertion force: 4.5kgs max.
6. Withdrawal force: 0.9-3Kgs

RoHS
TOLERANCE X±0.5 X.X±0.3

CONTACT ARRANGEMENT FRONT VIEW (FEMALE)	3P	4P	5P	6P	7P	8P

3	Earth terminal	Brass	Nickel plated
2	Terminal	Brass	Tin plated
1	Body	PBT	
Item	Description	Material	Treat & Remark



Unicable Co., Ltd. 國陽電業有限公司
5F., No. 111-33, Sec. 4, San Ho Road, San Chung City, Taiwan, R.O.C.
<http://www.unicable.com.tw> TEL:+886-2-2286-2122 FAX:+886-2-2286-1010

DATE	2016/10/7	PART NO.	UT-LS912-XP
DWN	GINA	REV.	3
CHK			
UNIT	MM		

ITEM	Push Lock Mini Din Socket
------	---------------------------